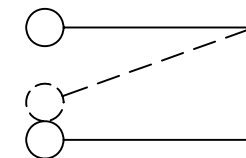
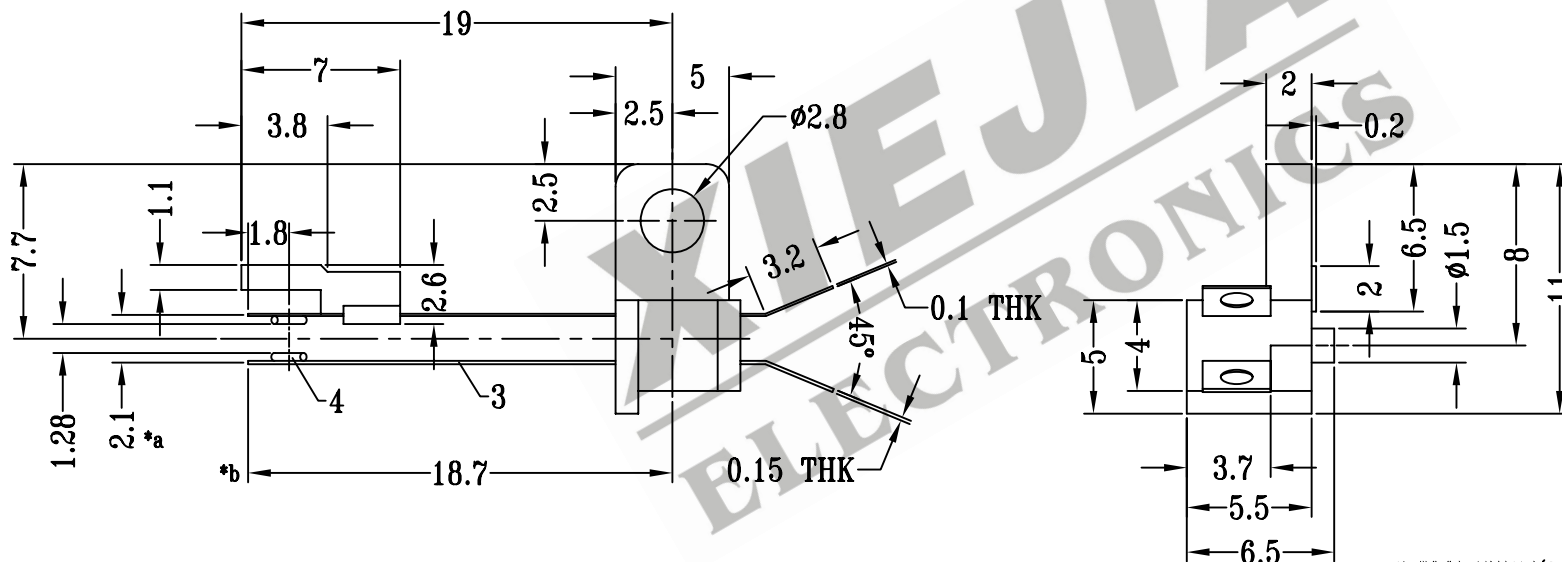
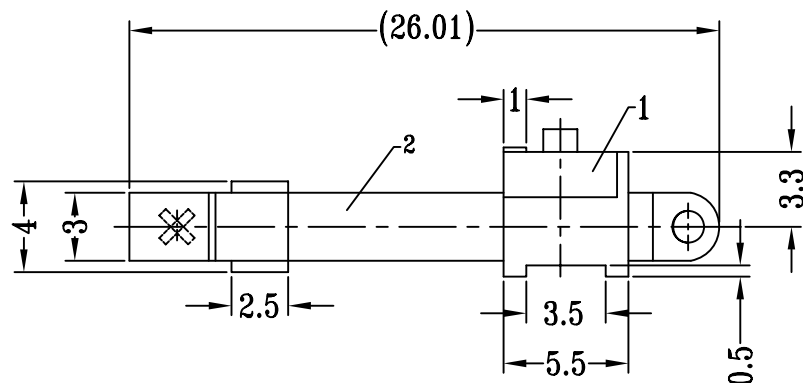


CAD FILE:



SCHMATIC

MODEL	SPRING PLATE
LF-013	G=GOLD
	N=NICKEL
	S=SILVER
	X=NIL

注:带*表示关键尺寸(2个)

NO.	PARTS	MATERIALS	Q'TY	FINISH	TOLERANCE UNLESS SPECIFIED	SHENZHEN XIEJIA ELECTRONICS CO.,LTD.				
8					WITHIN: 1.5±0.1mm OVER: 1.5±0.2mm	ISSUE	DATE	DESCRIPTIONS OF REVISION		APPD.
7										
6					TITLE : LEAF SWITCH MODEL: LF-013 ALL MATERIALS MUST BE COMPLIANT TO ROHS	UNIT : mm	SCALE: 3:1	DRWG NO.: XJ-DR-LF013-00		
5				DWN. ZHOUYU 2001-5-6						
4	CONTACT	SILVER WIRE	2	NATURAL				CHK'D FANGYING 2001-5-6		
3	SPRING PLATE B	PBS STRIP	1	NATURAL				APPD. KANGXINAN 2001-5-6		
2	SPRING PLATE A	PBS STRIP	1	NATURAL						
1	CASE	POM	1	BLACK						